

ROOF MOUNTED FANS

Fans

Ezifit Thru Roof

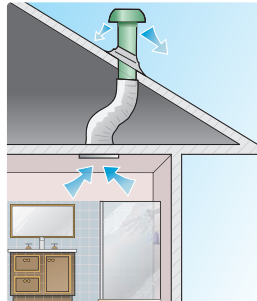
Available in metal/deck and tile roof versions, the affordable Ezifit Thru Roof supply air and exhaust fans are easy to install and provide efficient air flow with low noise output. A relief vent version (ie. without the fan) is also available.



Standard finish is galvanised

Applications

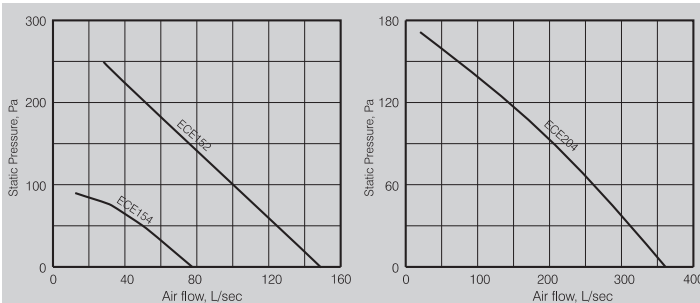
- Bathrooms
- Toilets
- Kitchens
- Rangehoods



Features

- Easy to install design.
- Suits all types of tile or metal roof profiles.
- Roof flashing included.
- Powerful air extraction for one or more points.
- Suitable for connection to long duct runs.
- Good installation will provide quiet operation.
- Can be fitted with variable speed controller.
- "Continuous rated" motor with safety thermal protection.
- Galvanised metal finish - easy to paint.
- Powder coating in required colour available as optional extra.
- 220-240V, Single-phase, 50Hz.
- Certificate of Approval number: Q02250.

Performance Curves

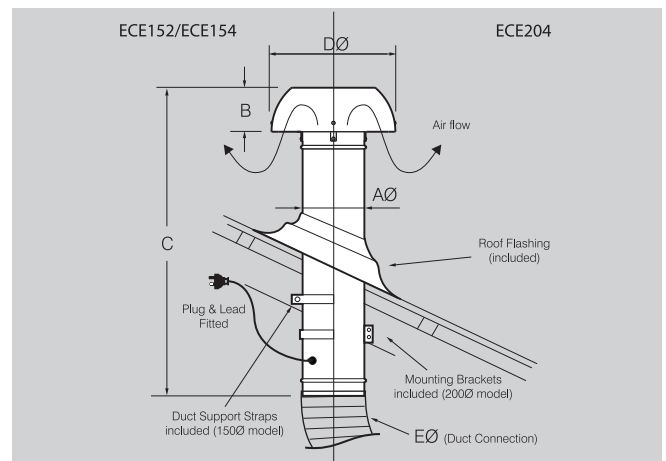


Technical Data

Model Number	m ³ /hr†	L/sec†	Fan Speed, rpm	dB(A) @ 3m	Watts
ECE152*	532	148	2500	43	70
ECE154*	277	77	1440	34	30
ECE204*	1400	389	1400	45	90

* Nominate roof flashing type: M= Metal/Deck roof, T= Tile roof
† Maximum air flow without duct and fittings

Dimensions



Model Number	Type	AØ	B	C	DØ	EØ
ECE152*/ECE154*	Exhaust Fan	140	100	700	285	150
ECE204*		200	153	950	445	200
ERV150*	Relief Fan	140	100	608	285	150
ERV200*		200	153	810	445	200

All dimensions in mm.

Accessories

- Run-on Timer (page 29)
- Speed Controller/Switch (page 30)
- Flexible Duct (page 31)
- Internal Grilles (page 33)
- Backdraft Damper (page 34)

Ezifit Supply Air

- Designed to provide powerful air flow through 150mm duct to one or more points.
- Suitable for connection to long duct runs.
- Fitted with a dust filter that can be cleaned or replaced

For further information go to www.fantechplus.com

Ezifit Relief Vent

- Ideal for 150mm & 200mm duct mounted fan systems.